

SPEC SHEET
LCUC

*Interchangeable with
Model TH-UWC*

\$1825

HYDROSTATICALLY COMPENSATED LOAD CELL for Underwater Applications

LCUC Series COMPRESSION

0-100 to 0-2,500 lb
0-450 to 0-11,000 N

1 Newton = 0.2248 lb
1 daNewton = 10 Newtons
1 lb = 454 g
1 t = 1000 kg = 2204 lb

- ✔ All Stainless Steel Construction
- ✔ Accuracy 0.25%
- ✔ Heavy Duty Construction for High Capacity Loads
- ✔ High Output 3mV/V Signal

The LCUC Series Hydrostatically Compensated compression load cells are unique load cells designed for operation underwater. Applications include dry docks, marine weighing, submerged platforms and industrial weighing applications where pit flooding is common. The all stainless steel construction and rugged design gives the LCUC high accuracy and high reliability in the tough submerged environment.

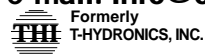
For Sales and Service
In U.S.A. and Canada

1-800-872-3963
1-800-USA-DYNE

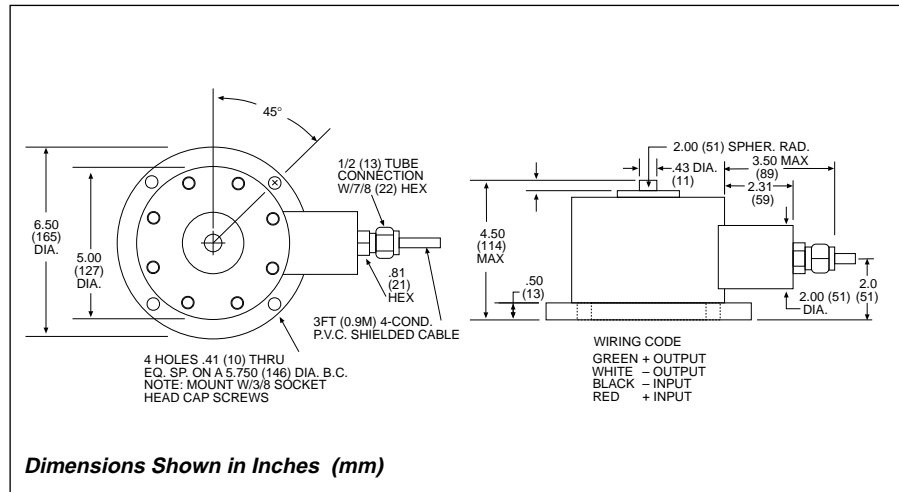
International Customers Dial
(614) 965-9340
24-Hour FAX (614) 965-9438

OMEGADYNESM FAX
OMEGADYNE's 24-Hour
On-Line Publishing Service
1-800-344-3963
1-800-DIG-DYNE
Document # 3645

OMEGADYNE, Inc.
149 Stelzer Court, Sunbury, OH 43074
<http://www.omegadyne.com>
e-mail: info@omegadyne.com



© COPYRIGHT 1996 OMEGADYNE, INC. ALL RIGHTS RESERVED.



SPECIFICATIONS:

Output: 3 mV/V ± 0.25 % FSO
Excitation: 10 V ac/dc (15V Max)
Accuracy: 0.25% FSO Combined Linearity, Hysteresis and Repeatability
Hydrostatic Effect on Zero: 0.5% FSO per 500 psi
Zero Balance: ± 1.0% FSO
Operating Temp. Range: +2 to +107°C (+35 to +225°F)
Compensated Temp. Range: +16 to +71°C (+60 to +160°F)

Thermal Effects: Zero: ±0.005% FSO/°F, Span: ±0.005% Rdg/°F
Safe Overload: 300% of Capacity
Ultimate Overload: 300% of Capacity
Input Resistance: 360 ohms minimum
Output Resistance: 350 ±5 ohms
Construction: 17-4 PH Stainless Steel
Electrical: 3ft (0.9m) 4-conductor PVC Cable.
Optional Waterproof Connector: Brantner MSXJ-4-BCR (or Equal) request quotation at time of order

► *Most Popular Models Highlighted* ◀ *Prices Shown in U.S. Dollars*

To Order: (Specify Model Number)			
Capacity (lb)	Model Number	Price	Compatible Meters
0-100	LCUC-100	\$1825	INFW, INFS, INFCS
0-250	LCUC-250	1825	INFW, INFS, INFCS
0-500	LCUC-500	1825	INFW, INFS, INFCS
0-1,000	LCUC-1K	1825	INFW, INFS, INFCS
0-2,500	LCUC-2.5K	1825	INFW, INFS, INFCS

Interchangeable with Model TH-UWC Metric Ranges Available-Consult Engineering.
Ordering Examples: 1. LCUC-100 is a 100 lb capacity Hydrostatically Compensated compression load cell with 3ft (0.9m) cable, **\$1825**.
2. LCUC-1K is a 1,000 lb capacity Hydrostatically Compensated compression load cell with 3ft (0.9m) cable, **\$1825**.